

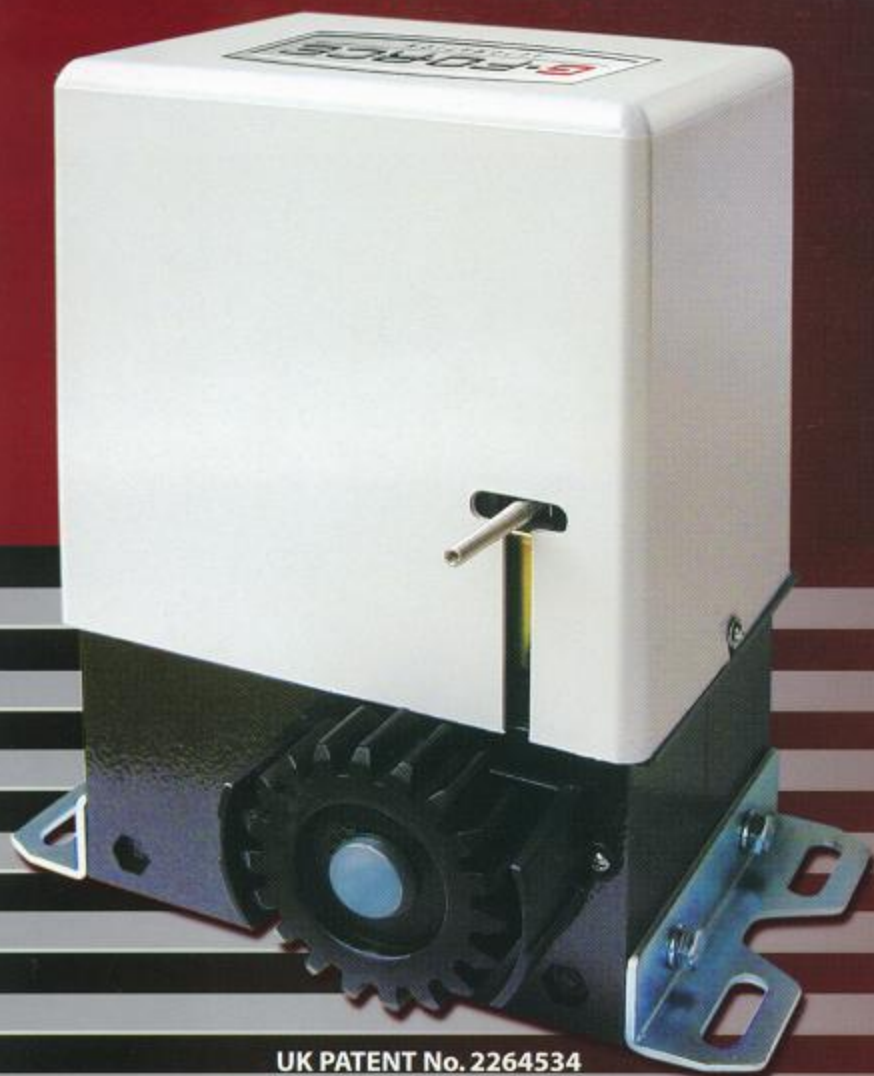
G-FORCE

AUTOMATION

AUTOMATIC SYSTEM FOR RESIDENTIAL SLIDING GATES

You'll never have to get out of your car again in the rain or late at night to open your gate. Simply use the Handset to open your gate from your car. It's that easy!

Model: SL 1000



UK PATENT No. 2264534
MY 108093-A



1 Year Warranty

Very
Convenient



Improve
Security



Save
Time



Unbeatable
Value



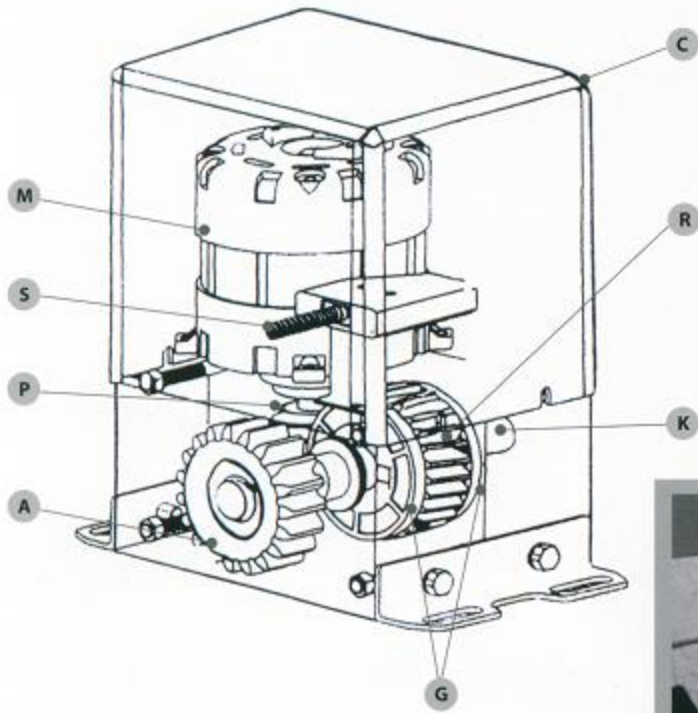
Reliable



Peace of
Mind



Model: SL 1000



CONFIGURATION

Single Phase induction motor couple with Worm Gear Speed Reducer with manual override release Patented Mechanical Clutch.

Legend

- M** : 4 Pole Electric Motor with Thermal Protection
- P** : Solid Shaft Worm - Wheel Screw
- R** : Reduction Unit - Helical Gear
- G** : Clutch between Helical Gear and Drive Shaft
- K** : Pinion Key Emergency Release
- S** : Contact Limit Switches
- C** : Removable Water Proof Casing
- A** : Black Pinion Gear 4mm



Operating Voltage : AC 220-240V 50Hz

Output Power : 600 W

Motor Rotation Speed : 1400 RPM

Max.Weight of Gate : 1,000kg

Linear Speed : 10m/min

Transmission Type : Gear Rack and Pinion

Safety Cut-Off/ Auto Reverse : Electronic Load Surge Detector

IR Safety Beam : Optional

Safety Limit Timer : Yes

Automatic Lighting Control : Yes

Lubrication : Oil Bath Gear Motor

Remote Controller : 2-Channels 315 MH2 UH

Standard Kit Contents

- 1 pc AC Sliding Gates Motor
- 4 pcs Row Plug
- 4 meter Gear Rack
- 2 pcs Limit Switch Brackets
- 2 pcs Emergency Release Allen Key
- 3 pcs Remote Control Hand Sets
- 1 pc Receiver
- 1 pc P.C. Electronic Control Panel

Optional Items

- Photocell
- Loop Coil Detector
- Warning Light

Dealer: